



Scaffolding - Fast

YOUR SCAFFOLDING SPECIALIST SINCE 1955

About us

RENTALS * SALES * SERVICES * INSTALLATIONS

- * **Frame Scaffolding**
- * **Ring Lock Scaffolding**
- * **Tubes & Clamps**
- * **Swing Stage**
- * **Ladders**
- * **Garbage Chute**
- * **Shoring**
- * **Pump Jack System**
- * **Hoists**
- * **Safety Equipments**
- * **Safety Fence**
- * **Transport Platform**

Our History



Scaffold-Fast came into fruition when Mr. Morris Fast decided to implement his ideas in order to build his own company. In 1955, Ottawa became the host of the new branch.

2002 - Opening of the new 15,000 square foot warehouse.

Ten years later, Mr Denis Chouinard a native of Quebec City, moved to the national capital with his family to help and ensure the successful growth of the new branch.

In 2005, Nicolas Chouinard (second generation) takes over the company.

In 1981, Denis Chouinard purchases the company. Scaffold-Fast (Ottawa) Inc. has a new local owner.

In 2019, Maxime Chouinard (third generation) is about to take over the company.

À propos

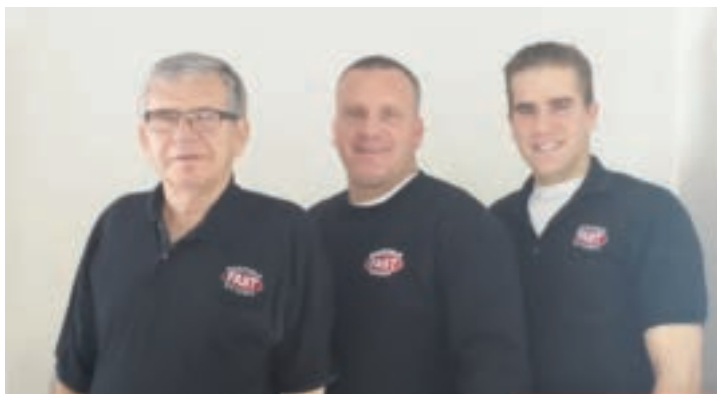
LOCATIONS * VENTES * SERVICES * INSTALLATIONS

- * Échafaudage à cadre
- * Échafaudage à rosette
- * Tuyaux et raccords
- * Échafaudage Volant

- * Échelles
- * Chute à déchets
- * Échafaudage à cric
- * Étalement

- * Treuils
- * Équip. de sécurité
- * Clôture de sécurité
- * Plateforme de transport

Notre Histoire



Scaffold-Fast voit le jour lorsque M. Morris Fast décide de mettre en oeuvre ses idées afin d'ériger sa propre compagnie. C'est en 1955 qu'Ottawa devient hôte de sa première succursale.

Dix ans plus tard, M. Denis Chouinard, originaire de Québec, vient s'installer dans la capitale nationale avec sa famille afin de prêter main forte et de veiller au bon développement de la nouvelle succursale.

En 1981, Denis Chouinard procède à l'achat de l'entreprise. Scaffold-fast (Ottawa) Inc. a depuis ce moment-là un propriétaire local.

En 2002, Scaffold-Fast (Ottawa) Inc. procède à l'ouverture du nouvel entrepôt de 15 000 pieds carrés.

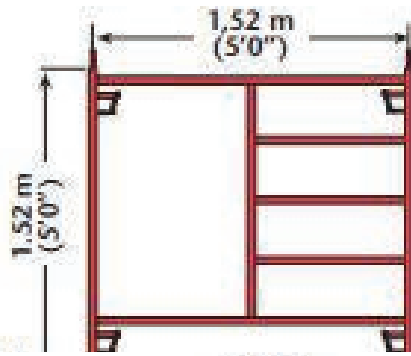
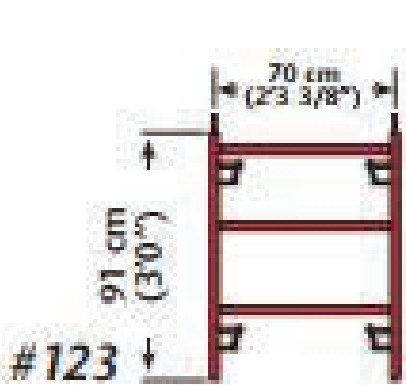
En 2005, Nicolas Chouinard (deuxième génération) prend la relève de l'entreprise.

En 2019, Maxime Chouinard (troisième génération) s'apprête à prendre la relève.

Frames



Frames



115

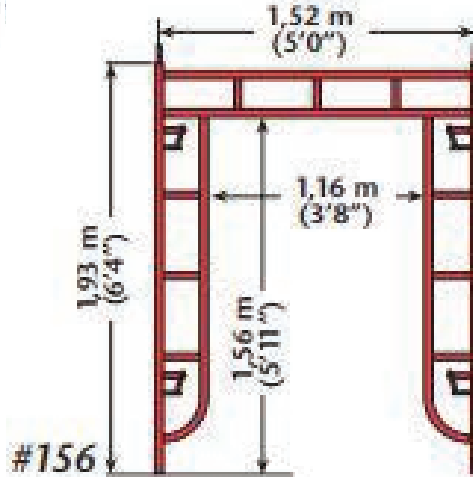
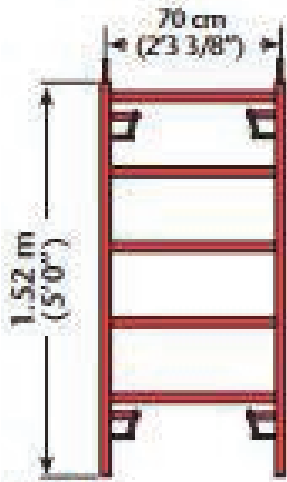
Ladder Frame 5' X 16''
(24 lb / 10.9 kg)

123

Ladder Frame 3' X 30''
(15 lb / 6.6 kg)

125

Ladder Frame 5' X 30''
(27 lb / 12.3 kg)



126

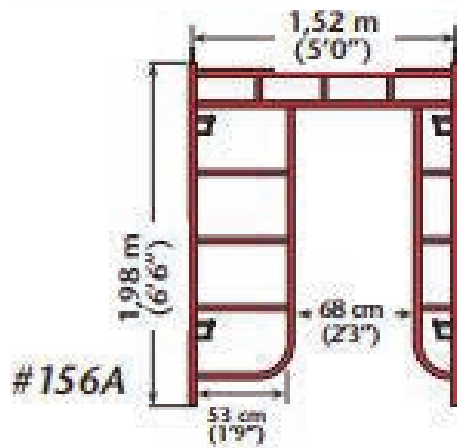
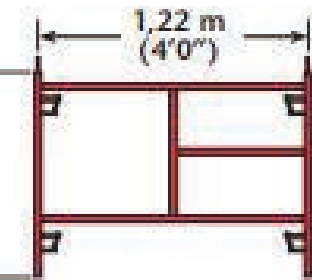
Ladder Frame 6' X 30''
(30 lb / 13.6 kg)

143

Ladder Frame 3' X 4'
(24 lb / 12.3 kg)

145

Ladder Frame 4' X 5'
(35 lb 15 kg)



150

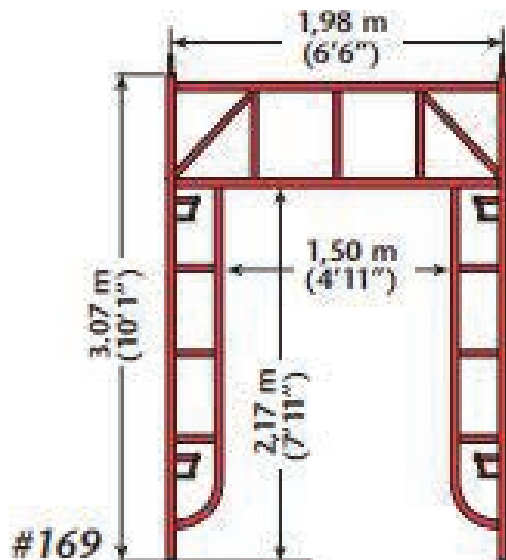
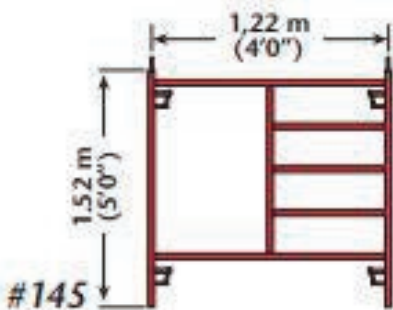
Stairs Frame 5' X 10'
(65.2 lb / 29.6 kg)

153

Ladder Frame 5' X 3'
(29 lb / 13.2 kg)

155

Ladder Frame 5' X 5'
(42 lb / 19.1 kg)



156

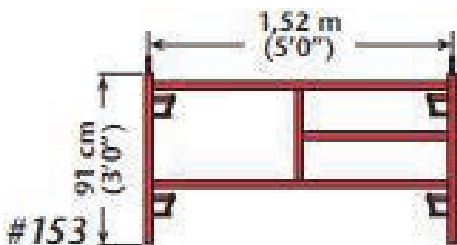
Frame 5' X 6'
(58 lb / 26.3 kg)

156A

Arch Frame 6'6'' X 5'
with Ladder
(72 lb / 32.7 kg)

169J

Arch Frame 9' X 6'6''
(105 lb / 47.7 kg)



Custom sizes are available upon request



Braces

Gooser Bar

Gooser bar 5' X 7'
(22.3 lb / 10.1 kg)

Cross Braces (dash) Angular

Brace 4' X 2' (6.4 lb / 2.9 kg)
Brace 5' X 2' (9.2 lb / 4.2 kg)
Brace 7' X 2' (13.4 lb / 6.1 kg)
Brace 10' X 2' (18.2 lb / 8.3 kg)



Bracket

Cross Braces Angular

Brace 4' X 4' (9 lb / 4.1 kg)
Brace 5' X 4' (11 lb / 5 kg)
Brace 6' X 4' (13 lb / 5.9 kg)
Brace 7' X 4' (16.4 lb / 7.5 kg)
Brace 10' X 4' (23.8 lb / 10.8 kg)

Cross Braces (dash) Tubular

Brace 4' X 2' (2.8 lb / 1.3 kg)
Brace 5' X 2' (3 lb / 1.4 kg)
Brace 6' X 2' (7.4 lb / 3.4 kg)
Brace 7' X 2' (9.2 lb / 4.2 kg)
Brace 8' X 2' (11.6 lb / 5.3 kg)
Brace 10' X 2' (14 lb / 6.4 kg)



Caster

Cross Braces Tubular

Brace 4' X 4' (4.6 lb / 2.1 kg)
Brace 5' X 4' (4.6 lb / 2.1 kg)
Brace 7' X 4' (6.4 lb / 2.9 kg)
Brace 8' X 4' (8.8 lb / 4 kg)
Brace 10' X 4' (12.6 lb / 5.7 kg)

Brackets for Frame Scaffolding

Bracket 20" (10.4 lb / 4.7 kg)
Bracket 31" (14 lb / 6.4 kg)
Bracket 48" (22.4 lb / 10.2 kg)
Bracket 12" (8 lb / 3.6 kg)
End bracket 20" (13 lb / 5.9 kg)



Wagon mobile

Adjustable Bracket

20" - 30" Adj. end bracket
(13.2 lb / 6 kg)

Castors

Baker Wheel 5" (3.8 lb / 1.7 kg)
Caster 6" (9.4 lb / 4.3 kg)
Caster 8" (12.5 lb / 5.7 kg)
Caster 8" w/ jack (12.4 lb / 5.6 kg)
Wagon mobile (125 lb / 56.7 kg)



Guard rail Post



Rail

Guard Rail Post

Guard rail post (10 lb / 4.5 kg)

Rail Angular

Rail 4' (4.8 lb / 2.2 kg)
Rail 5' (5.4 lb / 2.5 kg)
Rail 7' (7.8 lb / 3.5 kg)
Rail 10' (11.8 lb / 5.4 kg)



Screw jack with base plate



Screw jack with swivel base plate

Rail Tubular

Rail 30" (1.4 lb / 0.6 kg)
Rail 4' (3 lb / 1.4 kg)
Rail 5' (3 lb / 1.4 kg)
Rail 6' (3.8 lb / 1.7 kg)
Rail 7' (4 lb / 1.8 kg)
Rail 8' (5.2 lb / 2.4 kg)
Rail 10' (8.4 lb / 3.8 kg)

Screw Jacks

Base plate (2.2 lb / 1 kg)
Swivel base plate (2.2 lb / 1 kg)
U-Head (17 lb / 7.7 kg)
Screw jack w/o plate 24" (10 lb / 4.5 kg)
Screw jack with base plate 24" (10 lb / 4.5 kg)
Screw jack w/ swivel base plate 24" (14 lb / 6.4 kg)
Screw jack with base plate 36" (16 lb / 7.3 kg)
Screw jack with U-head 24" (17 lb / 7.7 kg)



Aluminum stair

Aluminum Stairs

End safety bar (3.2 lb / 1.5 kg)
Aluminum stair 7' (58.8 lb / 26.7 kg)
Aluminum stair 8' (61.8 lb / 28.1 kg)

Handrail for Stairs

Aluminum inside 7' (9.8 lb / 4.5 kg)
Aluminum outside 7' (15.4 lb / 7 kg)
Aluminum inside 8' (25.2 lb / 11.4 kg)
Aluminum outside 8' (37.2 lb / 16.9 kg)



Gin Block

Gin block 10"
(16.7 lb / 7.6 kg)
Gin block 12"
(18.4 lb / 8.4 kg)



Stabilizer

Stabilizer
(18 lb / 8.2 kg)



Putlog

Putlog supports
Putlog 6' (19.2 lb / 8.7 kg)
Putlog 8' (25.8 lb / 11.7 kg)
Putlog 22' (70.8 lb / 32.2 kg)



Hoist

Hoist
(14 lb / 6.4 kg)



Coupling pin

Coupling pin with collar
(3 lb / 1.4 kg)
Coupling pin w/o collar
(2.8 lb / 1.3 kg)



Frame Adaptor

Frame adaptor
(2.6 lb / 1.2 kg)



Lock Arm

Lock arm 13"
(0.5 lb / 0.23 kg)
Lock arm 30"
(1.4 lb / 0.6 kg)



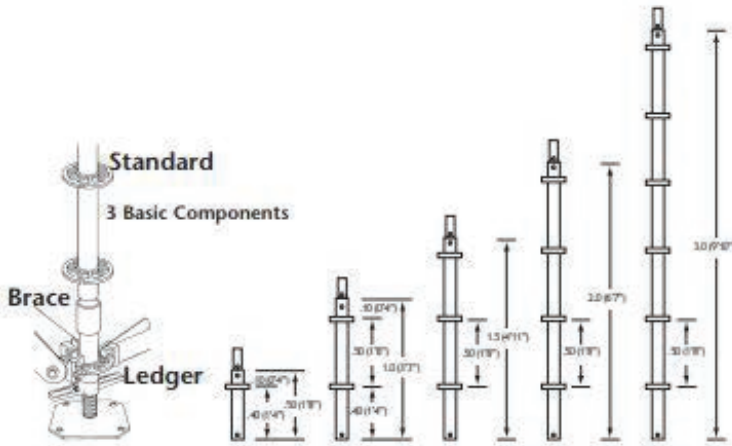
Locking Pins

Toggle pin
(0.1 lb / 0.05 kg)
Pig tail
(0.22 lb / 0.1 kg)

Ring lock



Ring lock



Ring Lock Standards

- 0.5 Meter (7.1 lb / 3.2 kg)
- 1 Meter (12.2 lb / 5.5 kg)
- 1.5 Meter (17.7 lb / 12.8 kg)
- 2 Meter (23.6 lb / 12.8 kg)
- 3 Meter (33.8 lb / 15.3 kg)

Ledgers

- Ledger 1'4" (5 lb / 2.3 kg)
- Ledger 2'2" (7.2 lb / 3.3 kg)
- Ledger 2'10" (8.6 lb / 3.9 kg)
- Ledger 3'6" (10.4 lb / 4.7 kg)
- Ledger 3'10" (11 lb / 5 kg)
- Ledger 5'2" (15.4 lb / 7 kg)
- Ledger 5'4" (14.8 lb / 6.7 kg)
- Ledger 6' (16.5 lb / 7.5 kg)
- Ledger 7' (19.8 lb / 9 kg)
- Ledger 8' (22.1 lb / 10 kg)
- Ledger 10' (28.2 lb / 12.8 kg)



Double Ledgers

- Double ledger 5'2" (25.2 lb / 11.4 kg)
- Double ledger 5'4" (25 lb / 11.8 kg)
- Double ledger 6' (31.2 lb / 14.1 kg)
- Double ledger 7' (34 lb / 15.4 kg)
- Double ledger 8' (41.5 lb / 18.7 kg)
- Double ledger 10' (48.9 lb / 22.2 kg)



Double Truss Ledgers

- Double truss ledger 5'2" (41.8 lb / 18.8 kg)
- Double truss ledger 5'4" (44 lb / 20 kg)
- Double truss ledger 7' (57 lb / 25.9 kg)
- Double truss ledger 8' (62.8 lb / 28.5 kg)
- Double truss ledger 10' (78.4 lb / 35.6 kg)
- Double truss ledger 14' (105.7 lb / 46 kg)
- Double truss ledger 16' (124.7 lb / 56.5 kg)
- Double truss ledger 17' (127.1 lb / 57.7 kg)
- Double truss ledger 20' (146.9 lb / 67.4 kg)
- Double truss ledger 21' (153.3 lb / 69.6 kg)
- Double truss ledger 24' (188.2 lb / 85.5 kg)
- Double truss ledger 28' (219.5 lb / 99.8 kg)



Bay Braces

- Bay brace 2'2" (21.2 lb / 9.6 kg)
- Bay brace 2'10" (21.8 lb / 9.8 kg)
- Bay brace 3'6" (16 lb / 7.3 kg)
- Bay brace 3'6" X 1M (10.6 lb / 4.8 kg)
- Bay brace 3'10" (22.7 lb / 10.3 kg)
- Bay brace 5'2" (24.6 lb / 11.2 kg)
- Bay brace 5'4" (25.8 lb / 11.6 kg)
- Bay brace 6' (16.5 lb / 7.5 kg)
- Bay brace 7' (27.6 lb / 12.6 kg)
- Bay brace 8' (29.5 lb / 13.4 kg)
- Bay brace 10' (33.6 lb / 15.2 kg)



Brackets for Ring Lock

- Side bracket 1' (3.4 lb / 1.5 kg)
- Side bracket 1'4" (11.6 lb / 5.2 kg)
- Side bracket 2'2" (13.9 lb / 6.3 kg)
- Side bracket 2'10" (17.4 lb / 7.8 kg)
- Side bracket 3'10" (32 lb / 14.6 kg)



Wall Mount Rosette

Wall mount rosette
(5 lb / 2.3 kg)



Base Collar

Base collar
(4 lb / 1.8 kg)



Suspended Device

Suspended device
(8 lb / 3.6 kg)



Spigot Adapter

Spigot
(5 lb / 2.3 kg)



Ring Lock Rack

Ring Lock rack
(52 lb / 23.6 kg)



Stair Stringers

- Stair stringer 3'6" (25.6 lb / 11.6 kg)
- Stair stringer 7' (35.2 lb / 16 kg)
- Stair tread 32" (18.8 lb / 8.5 kg)



Ring Lock Cage

Ring Lock cage
(175 lb / 79.5 kg)



Swing Gate

- Swing gate (27 lb / 12.3 kg)
- Ajustable swing gate (18.2 lb / 8.3 kg)



Ladder



Ladder bracket



Al. Plydeck



Trap door with ladder



Steel plank



Laminated plank

Ladders for Ring Lock

- Ladder 3' (11 lb / 5 kg)
- Ladder 5' (18 lb / 8.2 kg)
- Ladder bracket (6 lb / 2.7 kg)
- Ladder cage (27.2 lb / 12.4 kg)

Aluminum Plydecks

- Plydeck 2'10" (18 lb / 8.2 kg)
- Plydeck 3'6" (18.5 lb / 8.4 kg)
- Plydeck 3'10" (19.3 lb / 8.8 kg)
- Plydeck 4' (18.6 lb / 8.5 kg)
- Plydeck 5' (22.4 lb / 10.2 kg)
- Plydeck 5'2" (24.1 lb / 10.9 kg)
- Plydeck 5'4" (29 lb / 13.2 kg)
- Plydeck 7' (27 lb / 12.2 kg)
- Plydeck 8' (38 lb / 17.3 kg)
- Plydeck 10' (36 lb / 16.3 kg)
- Trap door 5'4" (26 lb / 11.8 kg)
- Trap door with ladder 7' (46 lb / 20.9 kg)
- Trap door 7' (35 lb / 15.8 kg)
- Trap door with ladder 8' (60 lb / 27.2 kg)
- Trap door 10' (50.4 lb / 22.8 kg)
- Trap door with ladder 10' (80 lb / 36 kg)

Steel Planks

- Steel planks 2'2" (11.5 lb / 5.2 kg)
- Steel planks 2'10" (16.3 lb / 7.4 kg)
- Steel planks 3'6" (19.2 lb / 8.7 kg)
- Steel planks 3'10" (18.5 lb / 8.4 kg)
- Steel planks 5'2" (27.2 lb / 12.3 kg)
- Steel planks 5'4" (24 lb / 10.9 kg)
- Steel planks 6' (28 lb / 12.7 kg)
- Steel planks 7' (36 lb / 16.3 kg)
- Steel planks 8' (34 lb / 15.4 kg)
- Steel planks 10' (50.5 lb / 22.9 kg)

Laminated Planks

- Laminated planks 3' (12.3 lb / 5.6 kg)
- Laminated planks 4' (16 lb / 7.3 kg)
- Laminated planks 5' (20.1 lb / 9.1 kg)
- Laminated planks 6' (24.1 lb / 10.9 kg)
- Laminated planks 7' (28.1 lb / 12.7 kg)
- Laminated planks 8' (33 lb / 15 kg)
- Laminated planks 9' (36.1 lb / 16.4 kg)
- Laminated planks 10' (40.4 lb / 18.3 kg)
- Laminated planks 12' (48.1 lb / 21.8 kg)
- Laminated planks 16' (64.2 lb / 29.1 kg)



**Aluminum
beam**

Aluminum Beams (6.5")

Aluminum beam 3' (12 lb / 5.5 kg)
Aluminum beam 4' (16 lb / 7.3 kg)
Aluminum beam 5' (20 lb / 9.1 kg)
Aluminum beam 6' (24 lb / 10.9 kg)
Aluminum beam 7' (28 lb / 12.7 kg)
Aluminum beam 8' (32 lb / 14.6 kg)
Aluminum beam 9' (36.1 lb / 16.4 kg)
Aluminum beam 10' (40.1 lb / 18.2 kg)
Aluminum beam 10'6" (42.1 lb / 19.1 kg)
Aluminum beam 12' (48.1 lb / 21.8 kg)
Aluminum beam 14' (56.2 lb / 25.5 kg)
Aluminum beam 16' (64.2 lb / 29.4 kg)
Aluminum beam 18' (72.2 lb / 32.8 kg)
Aluminum beam 20' (80.2 lb / 36.4 kg)
Aluminum beam 21' (84.3 lb / 38.2 kg)
Aluminum beam 24' (96.3 lb / 43.7 kg)
Aluminum beam 28' (112.3 lb / 50.9 kg)
Aluminum beam 32' (128.3 lb / 58.2 kg)



Steel beam

Steel Beams

Steel I-Beam 5' (61.5 lb / 27.9 kg)
Steel I-Beam 6' (73.8 lb / 33.5 kg)
Steel I-Beam 7' (86.1 lb / 39.1 kg)
Steel I-Beam 8' (98.4 lb / 44.6 kg)
Steel I-Beam 9' (110.7 lb / 50.2 kg)
Steel I-Beam 12' (147.6 lb / 67 kg)
Steel I-Beam 14' (172.2 lb / 78.1 kg)

Other lengths are available upon request



**Aluminum
Stringer Beam**

Aluminum Stringer Beams (7.5")

Aluminum stringer 6' (30 lb / 13.6 kg)
Aluminum stringer 8' (40 lb / 18.1 kg)
Aluminum stringer 10' (50 lb / 22.7 kg)
Aluminum stringer 10'6" (52.5 lb / 23.8 kg)
Aluminum stringer 11' (55 lb / 25 kg)
Aluminum stringer 12' (60 lb / 27.2 kg)
Aluminum stringer 12'6" (63 lb / 28.63 kg)
Aluminum stringer 16' (80 lb / 36.3 kg)
Aluminum stringer 18' (90 lb / 40.9 kg)

Other lengths are available upon request

...



Debris Netting



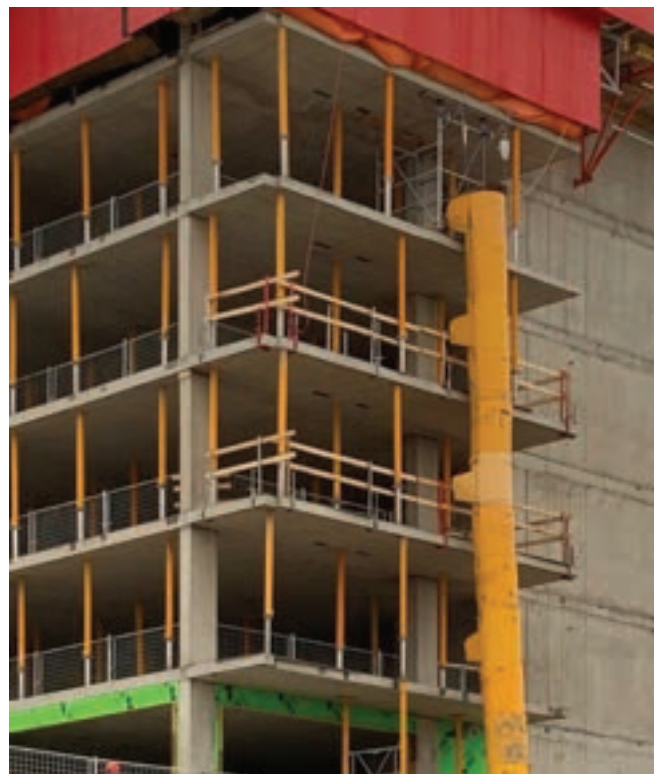
Shoring



Grandstand

Garbage Chute,
Slab Grabber

Swing stage



Pump jack



Inventory list for one basic setup

- 4 x Guard rail post (PJ)
- 4 x 12' or 16' aluminum pipe
- 2x End rails
- 2 x Pump jack
- 2 x Pole bracket
- 2 x 24' aluminum pole
- 1 x 24' or 32' platform

Pump Jack System

- Guard rail post (PJ) (10.8 lb / 4.9 kg)
- End rails (8.4 lb / 3.8 kg)
- Pump jack (26 lb / 11.8 kg)
- Pole bracket (7.8 lb / 3.5 kg)
- Pole bracket adjustable (8.6 lb / 3.9 kg)
- Work bench (13.8 lb / 6.2 kg)
- 6' Aluminum pole (13.8 lb / 6.2 kg)
- 12' Aluminum pole (26.6 lb / 12.1 kg)
- Pole connectors (10.2 lb / 4.6 kg)
- 18' Aluminum pole (40.4 lb / 18.4 kg)
- 24' Aluminum pole (53.8 lb / 24.5 kg)



Al. platform twin rail stage for Pump jack



Clamps / brides



Swivel bolt clamp



Right angle bolt clamp



End to end bolt clamp



Right angle wedge clamp



Swivel wedge clamp



Rosette clamp



Swivel adaptor



I-Beam clamp



A clamp

Bolt Clamps

- Swivel bolt clamp
(3.9 lb / 1.75 kg)
- Right angle bolt clamp
(3.9 lb / 1.75 kg)
- Parallel bolt clamp
(1.8 lb / 0.8 kg)
- End to end bolt clamp
(2.2 lb / 1 kg)

Ring Lock Clamps

- Butterfly clamp
(3 lb / 1.4 kg)
- Mullen clamp
(1.5 lb / 0.7 kg)
- Right angle wedge clamp 2" X 2"
(3 lb / 1.4 kg)
- Rosette clamp
(3 lb / 1.4 kg)
- Swivel wedge clamp 2" X 2"
(4 lb / 1.8 kg)
- Swivel adaptor
(3.5 lb / 1.6 kg)
- End to end wedge clamp
(2.2 lb / 1 kg)

Shoring Clamps

- Swivel shore clamp 2" X 3"
(4.8 lb / 2.2 kg)
- Right angle I-beam clamp
(3.8 lb / 1.7 kg)
- Right angle shore clamp 2" X 3"
(4.8 lb / 2.2 kg)
- Swivel I-beam clamp 2" X 3"
(3 lb / 1.4 kg)
- A clamp
(0.2 lb / 0.01 kg)
- V clamp
(1.4 lb / 0.7 kg)

Aluminum Tubes and Anchor Tubes

- Aluminum pipe 2' (1.8 lb / 0.9 kg)
- Aluminum pipe 3' (2.7 lb / 1.2 kg)
- Aluminum pipe 4' (3.6 lb / 1.6 kg)
- Aluminum pipe 5' (4.5 lb / 2 kg)
- Aluminum pipe 6' (5.4 lb / 2.5 kg)
- Aluminum pipe 7' (6.3 lb / 2.9 kg)
- Aluminum pipe 8' (7.2 lb / 3.3 kg)
- Aluminum pipe 9' (8.1 lb / 3.7 kg)
- Aluminum pipe 10' (9 lb / 4.1 kg)
- Aluminum pipe 12' (10.8 lb / 4.9 kg)
- Aluminum pipe 14' (12.6 lb / 5.7 kg)
- Aluminum pipe 16' (14.4 lb / 6.5 kg)
- Aluminum pipe 18' (16.2 lb / 7.4 kg)
- Aluminum pipe 20' (18 lb / 8.2 kg)
- Aluminum pipe 24' (21.6 lb / 9.8 kg)
- Aluminum anchor pipe 2' (4 lb / 1.8 kg)
- Aluminum anchor pipe 3' (5.3 lb / 2.4 kg)
- Aluminum anchor pipe 4' (7 lb / 3.2 kg)
- Aluminum anchor pipe 5' (8.8 lb / 4 kg)
- Aluminum anchor pipe 6' (10.5 lb / 4.8 kg)
- Aluminum anchor pipe 7' (12.3 lb / 5.6 kg)
- Aluminum anchor pipe 8' (14 lb / 6.4 kg)
- Aluminum anchor pipe 10' (17.5 lb / 8 kg)

Ladders / Échelles



Trigger bench

Trigger Benches

Trigger bench 3' (8.2 lb / 3.7 kg)
 Trigger bench 4' (16.4 lb / 7.4 kg)
 Trigger bench 5' (24 lb / 10.9 kg)
 Trigger bench 6' (30 lb / 13.6 kg)
 Trigger bench 8' (38.2 lb / 17.3 kg)
 Trigger bench 10' (46.4 lb / 21 kg)



Jaws

Jaws and Multi-way

Jaws ladder 18' (36 lb / 16 kg)
 Jaws ladder 22' (41 lb / 18 kg)
 Jaws ladder 26' (50 lb / 23 kg)
 Multi-way 6' (22.2 lb / 10.1 kg)
 Multi-way 7' (25.6 lb / 11.6 kg)
 Multi-way 8' (27.3 lb / 12.6 kg)



Multi way

Extension Ladders

Alu. ext. ladder 16' (BB) (32 lb / 14.5 kg)
 Alu. ext. ladder 20' (BB) (37 lb / 16.8 kg)
 Alu. ext. ladder 24' (BB) (44 lb / 20 kg)
 Alu. ext. ladder 28' (BB) (52 lb / 23.6 kg)
 Alu. ext. ladder 32' (BB) (64 lb / 29 kg)
 Alu. ext. ladder 36' (BB) (70 lb / 31.8 kg)
 Alu. ext. ladder 40' (BB) (82 lb / 37.2 kg)
 Alu. ext. ladder 44' (BB) (90 lb / 40.8 kg)



Orchard ladder

Step Ladders

Alu. step ladder 4' (12 lb / 5.5 kg)
 Alu. step ladder 5' (15 lb / 6.8 kg)
 Alu. step ladder 6' (17 lb / 7.7 kg)
 Alu. step ladder 8' (23 lb / 10.5 kg)
 Alu. step ladder 10' (28 lb / 12.7 kg)
 Alu. step ladder 12' (40 lb / 18.2 kg)
 Alu. step ladder 14' (51 lb / 23.2 kg)
 Alu. step ladder 16' (59 lb / 26.8 kg)



Extension ladders
 Aluminum or fiberglass



Orchard Ladders

Orchard ladder 10' (26 lb / 11.8 kg)
 Orchard ladder 12' (32 lb / 14.5 kg)
 Orchard ladder 14' (38 lb / 17.3 kg)
 Orchard ladder 16' (42 lb / 19.1 kg)



Step ladder



Rolling ladder

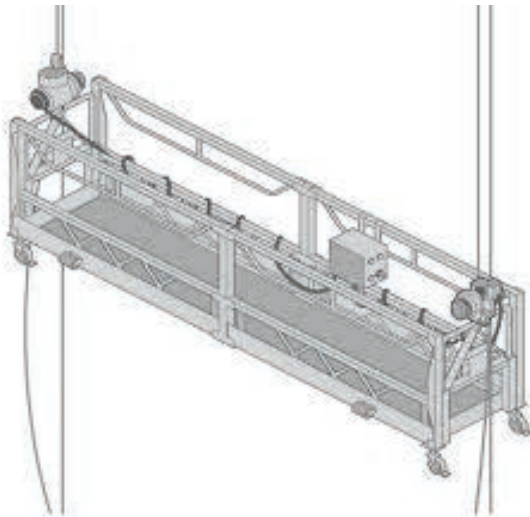
Rolling Ladders

Rolling step ladder 2 steps (42 lb / 19.1 kg)
 Rolling step ladder 3 steps (55 lb / 25 kg)
 Rolling step ladder 4 steps (87 lb / 39.5 kg)
 Rolling step ladder 5 steps (97 lb / 44.1 kg)
 Rolling step ladder 6 steps (111 lb / 50.5 kg)
 Rolling step ladder 7 steps (122 lb / 55.5 kg)
 Rolling step ladder 8 steps (142 lb / 64.5 kg)
 Rolling step ladder 9 steps (154 lb / 70 kg)
 Rolling step ladder 10 steps (166 lb / 75.5 kg)
 Rolling step ladder 11 steps (178 lb / 80.1 kg)
 Rolling step ladder 12 steps (190 lb / 86.4 kg)
 Rolling step ladder 13 steps (202 lb / 91.8 kg)
 Rolling step ladder 14 steps (214 lb / 97.3 kg)
 Rolling step ladder 15 steps (226 lb / 102.7 kg)
 Rolling step ladder 16 steps (238 lb / 108.2 kg)

Replacement parts are available upon request

Swing Stage

| | |
|-----|---------|
| 1M | 1 |
| 2M | 2 |
| 3M | 3 |
| 4M | 2 2 |
| 5M | 3 2 |
| 6M | 3 3 |
| 7M | 2 3 2 |
| 8M | 3 2 3 |
| 9M | 3 3 3 |
| 10M | 3 2 2 3 |
| 11M | 3 3 3 2 |
| 12M | 3 3 3 3 |



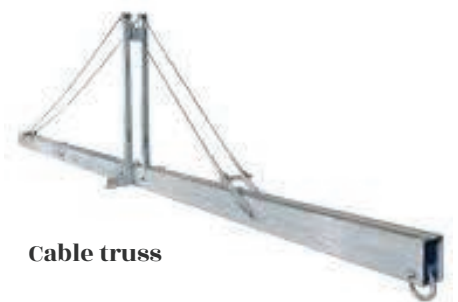
Floors

- 1M (3'4") (13 lb / 5.9 kg)
- 2M (6'9") (15 lb / 6.8 kg)
- 3M (9'9") (19 lb / 8.6 kg)
- 4M (13'6") (22 lb / 10kg)
- 5M (16'9") (25 lb / 11.4 kg)
- 6M (19'6") (28 lb / 12.7 kg)
- 7M (23'3") (31 lb / 14.1 kg)
- 8M (26'3") (41 lb / 18.6 kg)
- 9M (29'3") (44 lb / 20 kg)
- 10M (33') (48 lb / 21.8 kg)
- 11M (36') (51 lb / 23.2 kg)
- 12M (39'3") (54 lb / 24.5 kg)

Rated working load 750 lb / 340 kg

Swing Stage Accessories

- Front beam 8' (32.8 lb / 17.3 kg)
- Middle beam 8' (32.8 lb / 17.3 kg)
- Rear beam 4' (16.4 lb / 7.4 kg)
- Rear beam 8' (32.8 lb / 17.3 kg)
- Front beam 10' (40 lb / 18.1 kg)
- Cable truss 8' (96 lb / 43.6 kg)
- Cable truss 12' (105 lb / 47.7 kg)
- Beam splice 30" (12 lb / 5.4 kg)
- Caster for swing stage (6 lb / 2.7 kg)
- Cornice hook (59 lb / 26.7 kg)
- Weights 55 lb (55 lb / 25 kg)
- Degree corner sections 30, 45, 90
- Power cord 30' to 400'
- Steel cable 20' to 500'
- T-bar (23.8 lb / 10.8 kg)
- Tieback 30' to 250'
- Transformer 220-110 volt (52.2 lb / 23.7 kg)
- Power booster (35.2 lb / 16 kg)
- Walkthrough stirrup (90 lb / 40.8 kg)
- Wall roller (9 lb / 4.1 kg)



Cable truss

Shoring



Shoring Frames

Shoring frame 4' X 4' (26 lb / 11.8 kg)
 Shoring frame 4' X 6' (41 lb / 18.6 kg)
 Shoring frame 4' X 8' (53 lb / 24 kg)

Shoring post #0 - 3'6" to 6'
 Shoring post #1 - 5'6" to 10'
 Shoring post #2 - 6'6" to 11'
 Shoring post #3 - 8'8" to 13'2"
 Shoring post #4 - 10'6" to 16'3"



Shoring Posts

Shoring post #0 (23 lb / 10.5 kg)
 Shoring post #1 (35.6 lb / 16.2 kg)
 Shoring post #2 (40.2 lb / 18.3 kg)
 Shoring post #3 (42 lb / 19.1 kg)
 Shoring post #4 (45.2 lb / 20.5 kg)
 Push-pull (48 lb / 21.8 kg)
 SW base plate for push-pull (8 lb / 3.6 kg)
 SW base plate for mutlprop (23 lb / 10.4 kg)



Shoring jack



Shoring U-head

Shoring Accessories

Connector (1.5 lb / 0.7 kg)
 Shoring base plate (5.5 lb / 2.5 kg)
 Shoring screw-jack (13.9 lb / 6.3 kg)
 Shoring U-head (5.8 lb / 2.6 kg)

Multiprop MP120 - 30" to 47"
 Multiprop MP250 - 4'8" to 8'2"
 Multiprop MP350 - 6'4" to 11'5"
 Multiprop MP480 - 8'5" to 15'7"
 Multiprop MP625 - 14'1" to 20'5"



Multiprop Posts

Multiprop MP120 (23.8 lb / 10.8 kg)
 Multiprop MP 250 (32.4 lb / 14.2 kg)
 Multiprop MP350 (40 lb / 18.1 kg)
 Multiprop MP480 (50.4 lb / 22.9 kg)
 Multiprop MP625 (66.2 lb / 30 kg)

Garbage chutes and Construction fences

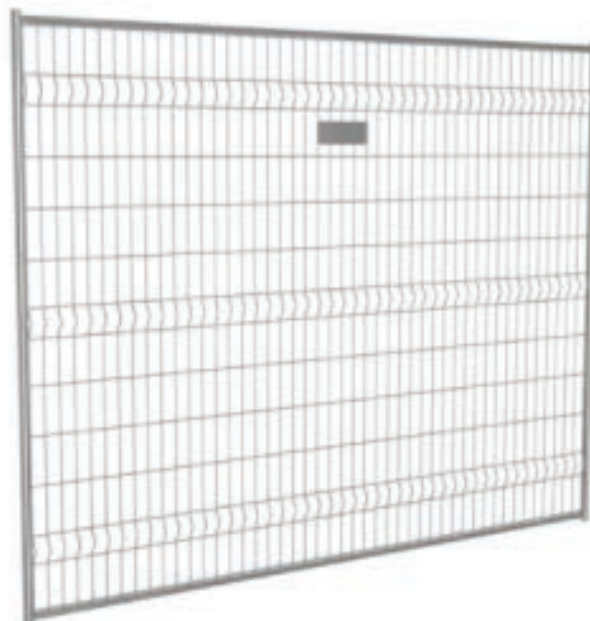


Garbage chute

Regular section 30" (36lb / 16.4 kg)
Top hopper 30" (44 lb / 20 kg)
Door section 30" (52 lb / 23.6 kg)
Metal liner (40.8 lb / 18.5 kg)
Spreader bar (17.8 lb / 8.1 kg)

Construction Fence

Construction fence 6' X 8' (54.8 lb / 24.9 kg)
Fence base (10.8 lb / 4.9 kg)
Fence clip (0.4 lb / 0.2 kg)



Sheetings



Debris Netting

3'3" X 150' Debris netting black
(15.8 lb / 7.2 kg)
6'6" X 150' Debris netting black
(24.6 lb / 11.2 kg)
6'6" X 150' Debris netting green
(24.6 lb / 11.2 kg)
10' X 150' Debris netting black
(39.6 lb / 18 kg)
10' X 150' Debris netting green
(39.6 lb / 18kg)
10' X 150' Debris netting white
(39.6 lb / 18 kg)



Insulated Tarps

Insulated tarp 12' X 20'
(10.3 lb / 4.7 kg)



Sheeting

Scaffold sheeting 13' X 100'
(69.1 lb / 31.4 kg)
Scaffold sheeting 7'4" X 136'
(51.6 lb / 23.4 kg)

Accessories

Bungee tie
Wind clip
Zip tie (PKG 100)



Hoists



Tirfor

It can be used for lifting and pulling, but also for lowering, tensioning and securing loads in all directions.

One-man operation by using the telescopic control lever supplied as standard

Ils peuvent lever, tirer et positionner des charges sur une grande longueur.

Ils peuvent être utilisés dans de multiples configurations et avec des grandes longueurs de câble.



Minifor TR30 / TR50

The minifor hoist is very compact, light-weighted and easy to handle with unlimited wire rope length.

Minifor offers a compact portable motorized solution for lifting, pulling as well as positioning loads.

Le minifor est léger et facile à manipuler avec une longueur de câble illimitée.

Minifor offre une solution compacte, portable et motorisée pour soulever, tirer et positionner les charges.



ScanClimber SC20

The working platform SC20 is an electrical lift. It can be used to transport workers, materials and equipments to the required height at the same time.

Compare to tradition scaffolding and other lifting methods, it has a significant time saving. Site safety is significantly improved when workers no longer need to climb.

The working platform can support loads between 3,300 lb and 4,400 lb. The maximum load capacity is 18 peoples.

La plateforme de travail SC20 est un monte-charge électrique. Il peut être utilisé pour le transport des ouvriers, des matériaux et des équipements à la hauteur requise et en même temps.

Par rapport aux échafaudages et autres méthodes de levage, il présente un gain de temps significatif. La sécurité du site est nettement améliorée lorsque les ouvriers n'ont plus besoin de grimper.

La plateforme de travail SC20 peut supporter des charges comprises entre 1500 et 2000 kg. La capacité maximale de charge est de 18 personnes.

Security



Glasses

Safety Glasses 4A Clear
Safety Glasses 4A smoke



Gloves

Gloves nitriles coated nylon (M, L, XL)
Gloves nitriles hiviz latex (M, L, XL)
Gloves cotton PVC (M, L, XL)

Harnesses

Harness with strap (Universal)
Harness with buckle strap (Universal)
Harness Dyna-Pro (L, XL)
Roofers kit (Universal)



Lanyards

Lanyard 3'
Lanyard 3' with rope grab
Lanyard 6' SGL big hook
Lanyard 6' SGL small hook
Lanyard 6' DBL big hook
Roof anchor bracket

Safety Lines

Safety line 50'
Safety line 75'
Safety line 100'
Safety line 150'
Safety line 200'
Safety line 250'
Safety line 300'
Safety line 350'
Safety line 400'
Safety line 500'



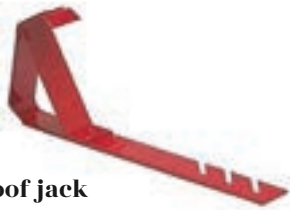
Miscellaneous



Mortar mixer



Ladder jack



Roof jack



Brick cutter



Scaffolding rack

Masonry Equipment

Mortar and plaster mixer
6 cu. ft / pi. cu.
Mortar and plaster mixer
8 cu. ft / pi. cu.
Mortar and plaster mixer
12 cu. ft / pi. cu.

Hydraulic models are also available.
Modèles hydrauliques aussi disponibles.

Masonry Pan (206 lb / 93.6 kg)
Self-dumping Hopper (400 lb / 181.8 kg)
Brick cutter (80 lb / 36.4 kg)

Miscellaneous

Slab Graber 5" - 18" (20.8 lb / 9.5 kg)
Roof jack (2.6 lb / 1.18 kg)
Ladder Jack (4 lb / 1.8 kg)
Yellow ratchet strap
Telescoping plank 6' - 9' (29 lb / 13.2 kg)
Telescoping plank 8' - 13' (38 lb / 17.3 kg)
Telescoping plank 10' - 16' (49 lb / 22.3 kg)
Scaffolding rack (400 lb / 181.8 kg)
Concrete block (2200 lb / 998 kg)
Dolley 3' X 3' (67.2 lb / 30.5 kg)
Plywood 4' X 8' (67 lb / 30.4 kg)
6' Steel Rolling Scaffold (150 lb / 68.2 kg)

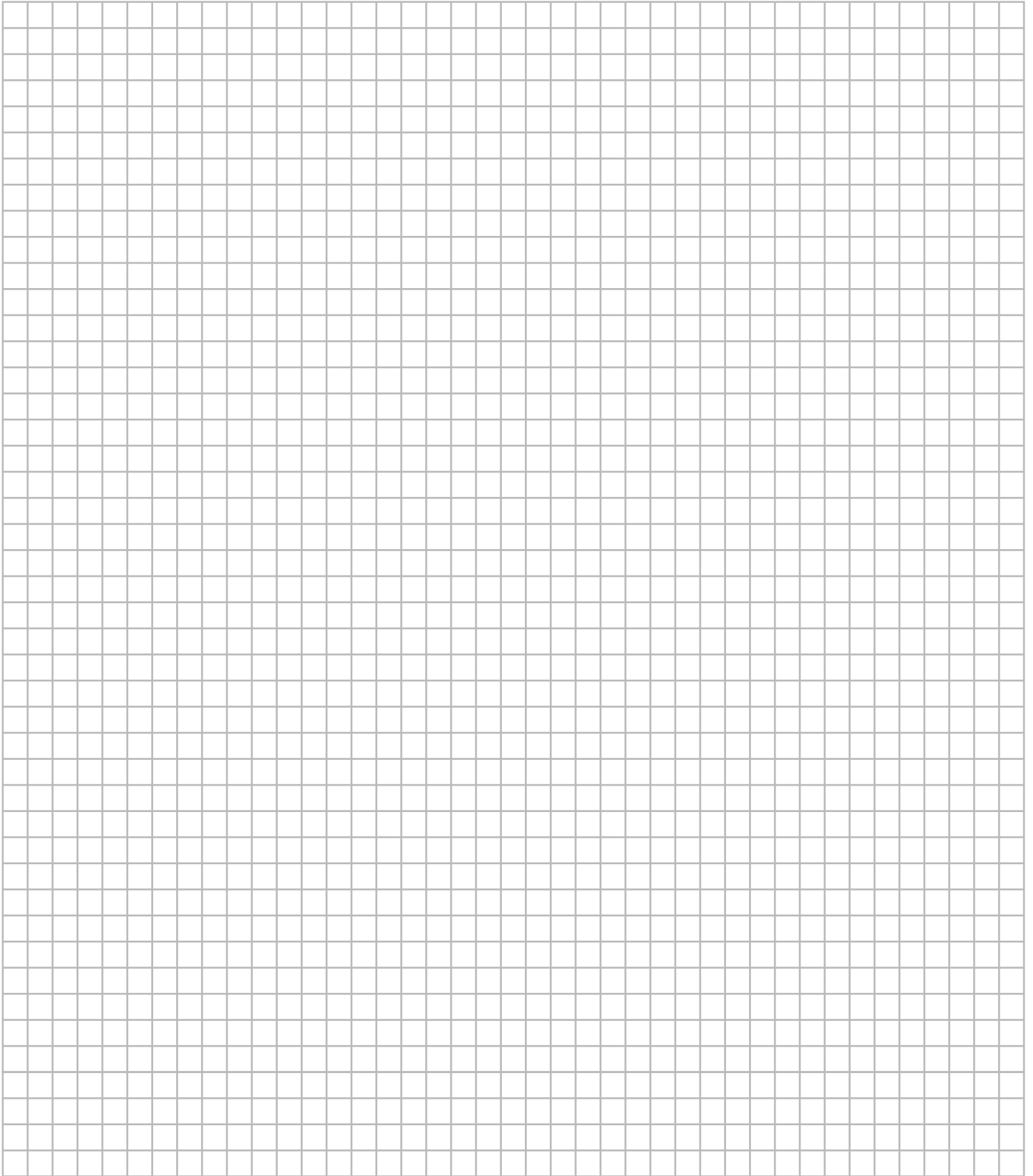


Slab grabber

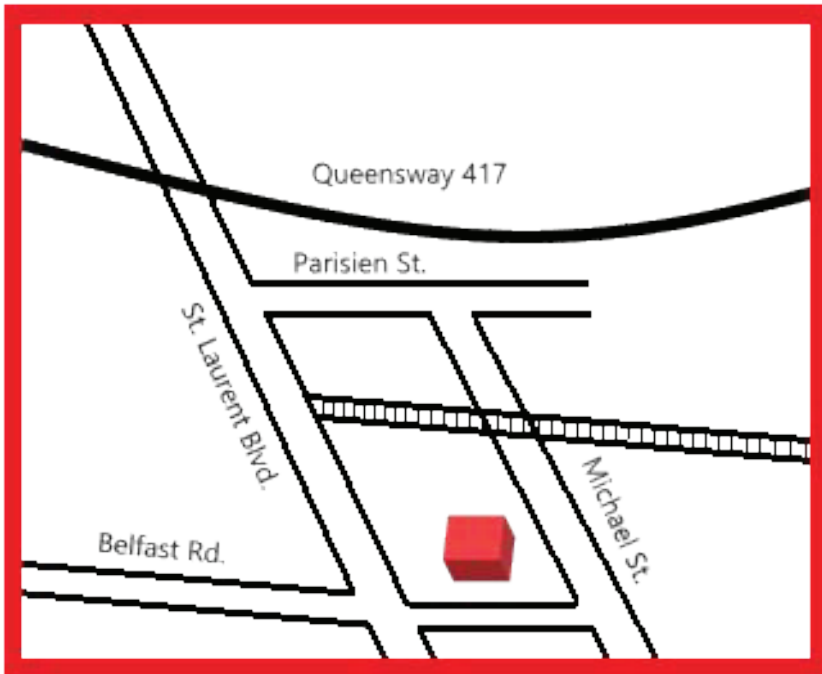
INDEX

- 0.5 meter standard (0.5MSTD) - 10
- 1 Meter floor (SS1MF) - 18
- 1 Meter hand rail (SS1MHR) - 18
- 1 Meter standard (1MSTD) - 10
- 1 Meter truss (SS1MT) - 18
- 1.5 Meter standard (1.5MSTD) - 10
- 1/2 Meter hand rail (SS1/2MHR) - 18
- 10' X 150' Debris netting (DN3M150) - 21
- 12' Aluminum pole (P-2012) - 15
- 18' Aluminum pole (P-2018) - 15
- 2 Meter floor (SS2MF) - 18
- 2 Meter hand rail (SS2MHR) - 18
- 2 Meter standard (2MSTD) - 10
- 2 Meter truss (SS2MT) - 18
- 20' Fiberglass ext. ladder (FEL6320) - 17
- 20"-30" Adj end bracket (330DHADJ) - 6
- 24' Alu. ext. ladder (I-beam) (AELIB24D) - 17
- 24' Aluminum pole (P-2024) - 15
- 3 Meter floor (SS3MF) - 18
- 3 Meter hand rail (SS3MHR) - 18
- 3 Meter standard (3MSTD) - 10
- 32' Alu. ext. ladder (I-beam) (AELIB32D) - 17
- 3'3" X 150' Debris netting (DN1M150) - 21
- 36' alu. ext. ladder (I-beam) (AELIB36D) - 17
- 40' Alu. ext. ladder (I-beam) (AELIB40D) - 17
- 6' Aluminum pole (P-2006) - 15
- A clamp (ACLAMP) - 6
- Adaptor Offset (302)
- Airplane beam (AIRBEAM) - 18
- Aluminum anchor pipe (ALAP(SIZE)) - 16
- Alu deck TD & LAD 28" (AP(SIZE)TPL) - 12
- Alu. ext. ladder (AELIBB(SIZE)D) - 17
- Aluminum platform stage (APS(SIZE)) - 15
- Alu. plydeck 19" (AP(SIZE)) - 12
- Alu. stepladder (ASL(SIZE)) - 17
- Alu. stringer beam (ASB(SIZE)) - 13
- Alu. telesc. plank 10'-16"(TPPLANK16) - 24
- Alu. beam (6.5") (AB(SIZE)) - 13
- Alu. inside handrail 7' (342-771) - 7
- Alu. inside handrail 8' (342-881) - 7
- Alu. ladder jack (LADJACK) - 24
- Alu. outside handrail 8' (342-880) - 7
- Alu. outside handrail 7' (342-770) - 7
- Aluminum pipe (ALP(SIZE)) - 16
- Alu. stair 7' (345-7) - 7
- Alu. stair 8' (345-8) - 7
- Alu. straight ladder (ALSTL) - 17
- Angular rail 10' (320-0) - 7
- Angular rail (32(SIZE)) - 7
- Arch frame 6'6" X 5' (156) - 5
- Arch frame 6'6" X 5" with ladder (156A) - 5
- Arch frame 9' X 6'6" (169J) - 5
- Baker Scaffold 6' (1350) - 24
- Baker wheel 5" (313) - 6
- Base collar (BAC) - 11
- Base plate (300) - 7
- Base plate for screw jack (BPLATE) - 7
- Bay brace (RLBB(SIZE)) - 11
- Beam splice 30" (BSPLICE) - 18
- Beam trolley (BTROLLEY) - 18
- Angular brace 4' (255-(SIZE)) - 6
- Angular brace 2' (253-(SIZE)) - 6
- Tubular brace 4' (255-(SIZE)B) - 6
- Tubular brace 2' (255-(SIZE)B) - 6
- Butterfly clamp (BFC) - 16
- Cable truss (CTRUSS) - 18
- Caster 6" (316) - 6
- Caster 8" (318) - 6
- Caster with jack (CWJ8) - 6
- Concrete Block (CONBLOCK) - 24
- Connector (CONN) - 19
- Construction fence 6' X 8' (CF6X8) - 20
- Corner floor degree (CORNFS(SIZE)) - 18
- Corner truss degree (CORNST(SIZE)) - 18
- Corner handrail degree (CORNHR(SIZE)) - 18
- Corner U-frame (UFRAMCE-C) - 18
- Counter weight 55 lb (535-55) - 18
- Coupling pin (205) - 8
- Coupling pin with collar (205C) - 8
- Dolley 3' X 3' (DOLLEY) - 24
- Door section 30" (DOORS) - 20
- Double ledger (RLDL(SIZE)) - 10
- Double truss ledger (RLDTL(SIZE)) - 10
- Elec. hoist minifor TR30 (TR30) - 22
- Elec. hoist minifor TR50 (TR50) - 22
- Electric stirrup (ESTIRRUP) - 18
- End bracket 20" (330DH) - 6
- End rails (P-014) - 15
- End safety bar (350)
- End to end bolt clamp (ETEB) - 16
- End to end wedge clamp (ETEW) - 16
- Fence base (FEB) - 20
- Fence clip (FEC) - 20
- Frame 3' X 4" (143) - 5
- Frame 5' X 16" (115) - 5
- Frame 5' X 3' (153) - 5
- Frame 4' X 5' (145) - 5
- Frame 5' X 5' (155) - 5
- Frame adaptor (301) - 8
- Gin block 10" (357-10) - 8
- Gin block 12" (357-12) - 8
- Gloves cotton PVC (GLO-CPVC-(SIZE)) - 23
- Gloves nitrile and nylon (GLO-NCN-(SIZE)) - 23
- Gloves nitrile hiviz latex (GLO-NHL-(SIZE)) - 23
- Gooser bar 5' X 7' (GB7) - 6
- Gravel bucket (GBUCKET) - 24
- Gravity pin (GRAVPIN) - 18
- Green tag (TAG-G) - 24
- Guard rail post (320) - 7
- Guard rail post (PJ) (521) - 15
- Harness Dyna-pro (SAFEH-DP-(SIZE)) - 23
- Harness with strap (SAFEH-S) - 23
- HD swivel base plate for MP (MP-SWBP) - 23
- Hoist (353) - 8
- Jaws ladder (JLT(SIZE)) - 17
- Ladder 3' (LAD3) - 12
- Ladder 5' (LAD5) - 12
- Ladder bracket (LADB) - 12
- Ladder frame 3' X 30" (123) - 5
- Ladder frame 5' X 16" (115) - 5
- Ladder frame 5' X 30" (125) - 5
- Ladder frame 6' X 30" (126) - 5
- Laminated planks (LP(SIZE)) - 12
- Lanyard 3' with rope grab (LAN3-RG) - 23
- Lanyard 6' double big hook (LAN6DH) - 23
- Lanyard 6' single big hook (LAN6BH) - 23
- Ledger (RLL(SIZE)) - 10
- Lockarm 13" (201) - 8
- Lockarm 30" (204) - 8
- Metal liner (METALL) - 20
- Meter floor 1/2 (SS1/2MF) - 18
- Meter truss 1/2 (SS1/2MT) - 18
- Motar mixer 8. cu.ft. gas (MIX-800G) - 24
- Mud sills (MSILL) - 24
- Mullen clamp (MUC) - 16
- Multiprop (MP(SIZE)) - 19
- Multi-way ladder (MWL(SIZE)) - 17
- Orchard ladder (OL(SIZE)) - 17
- Parallel bolt clamp (403) - 16
- Pig tail (203) - 8
- Pig tail for power cord (PIGTPC) - 18
- Platform hook (PHOOK) - 24
- Plywood 4' X 8' X 3/4" (PLY4X8) - 24
- Pole bracket (P-2001) - 15
- Pole connectors (P-2014) - 15
- Power cord 220 volt (PC(SIZE)) - 18
- Power booster (PB-608) - 18
- Pulley system for TR50 (PULLS-TR50) - 22
- Pump jack (P-2000) - 15
- Push-pull (PP6.3) - 19
- Putlog (360-(SIZE)) - 8
- Putlog supports (370) - 8
- Right angle wedge clamp (RAW) - 16
- Ratchet strap (RSTRAP) - 24
- Rebar hook (REBHOOK) - 23
- Red tag (TAG-R) - 24
- Regular section 30" (REGS) - 20
- Retractable lanyard 6' (LAN6-R) - 23
- Right angle bolt clamp (402) - 16
- Right angle I-beam clamp (RHIBC) - 16
- Right angle shore clamp (SHCRH) - 16
- Ring lock cage (RL-CAGE) - 11
- Ring lock rack (RL-RACK) - 11
- Roller beam (RBEAM) - 18
- Roof jack (ROOFJ) - 24
- Roofers kit (ROOFKIT) - 23
- Rope (ROPE-(SIZE)) - 24
- Rosette clamp (ROC) - 16
- Safety glasses 4A clear (SAFEG-C) - 23
- Safety glasses 4A smoke (SAFEG-S) - 23
- Safety line with T&H (SLINE(SIZE)) - 23
- Scaffolding rack (SCAFRACK) - 24
- Scanclimber 20 (SCANC20) - 22
- Screw-jack 24" with U-head (309-18) - 7
- Screw-jack with plate 36" (307L) - 7
- Screw-jack with plate 24" (307) - 7
- Screw-jack with swivel plate 24" (307S) - 7
- Screw-jack with U-head (308-18) - 7
- Screw-jack with out plate 24" (306) - 7
- Self dumping 1/2 yard (SDH-1/2) - 24
- Shoring base plate (SHBP) - 19
- Shoring frame (SHF(SIZE)) - 19
- Shoring post (SHP(SIZE)) - 19
- Shoring screw-jack (SHSJ) - 19
- Shoring U-head (SHUH) - 19
- Side bracket (330-1/330/331/334) - 6
- Side bracket for ring lock (RLSB(SIZE)) - 11
- Slab grabber 5" - 20" (SG520) - 24
- Sling (SLING(SIZE)) - 24
- Spigot adaptor (SPA) - 11
- Spreader bar (SPRBAR) - 20
- Spring clip (206) - 8
- Stabilizer (391S) - 8
- Stair adaptor (351)
- Stair stringer (SS(SIZE)) - 11
- Stair thread 32" (ST32) - 11
- Steel cable 5/16" (SC(SIZE)) - 18
- Steel cable for minifor (SCM(SIZE)) - 22
- Steel I-beam (STB(SIZE)) - 13
- Steel planks 9.5" (SP(SIZE)) - 12
- Strongback beam (STBB(SIZE)) - 13
- Swivel base plate for PP (PP-SWBP) - 19
- Swivel wedge clamp (SSW) - 16
- Swing gate (SWG) - 11
- Swivel adaptor (SWA) - 11
- Swivel base plate (303) - 7
- Swivel clamp (401) - 16
- Swivel I beam clamp (SWIBC) - 16
- Swivel shore clamp (SHCS) - 16
- Tie back (TB(SIZE)) - 18
- Toggle pin (200) - 8
- Top hopper 30" (TOPH) - 20
- Trigger bench (TB(SIZE)) - 17
- T-section for power cord (TSECTION) - 18
- Tubular rail (32(SIZE)B) - 7
- U-frame (UFRAME) - 18
- U-head (304) - 7
- V clamp (VCLAMP) - 16
- Wagon mobile (1000) - 6
- Wagon wheel 16" (WAGW)
- Walkthrough stirrup (WSTIRRUP) - 18
- Wall mount rosette (WMR) - 11
- Wall roller (WALLR) - 18
- Work bench (P-2002) - 15
- Zip-tie pkg 100 (ZIPT-100) - 21

Notes



Notes



Scaffold-Fast (Ottawa) Inc.
Échafaudages-Fast (Ottawa) Inc.
1500 Michael St.
Ottawa, ON K1B 3S1
Tel: 613-237-2470
Fax: 613-237-5342
info@scaffold-fast.ca
www.scaffold-fast.ca